



Residential HVAC Rebate Program



Duct Sealing - *for cooling and heating savings!*

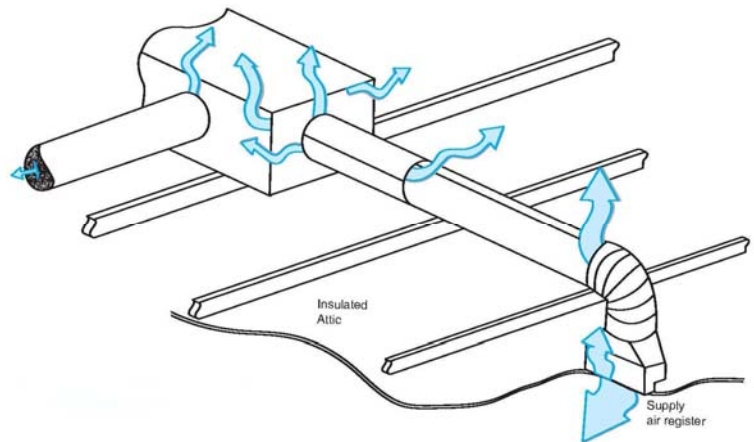
A well-designed and properly sealed duct system can make your home more comfortable, energy efficient, and safer. **COOL SMART** encourages you to work with a participating, trained contractor to determine whether your home can benefit from this service.

Why should your ducts be sealed?

- 1) **Do you have high utility bills?**
- 2) **Are your rooms stuffy in summer and chilly in winter?**
- 3) **Does anyone in your family suffer from dust allergies?**
- 4) **Do you worry about the environment?**

If you answered “yes” to any question here, you may benefit from sealing your home’s ducts.

See below for more details, and seek help from a COOL SMART contractor.



High pressure leaks near the blower lose (and use) the most energy!

1. High utility bills

Sealing existing ducts often reduces heating and cooling costs by 15%. And if you’re planning to install new HVAC equipment, a well-designed system may allow you to downsize to a smaller unit that will also provide better dehumidification.

2. Rooms that are stuffy in summer and chilly in winter

Leaky ducts can reduce heating and cooling system efficiency by as much as 20%. Sealing ducts can help solve common discomforts, such as rooms that are too hot in summer or too cold in winter.

3. Dust allergies / asthma

Fumes from household and garden chemicals, insulation particles, and dust can enter your ducts, aggravating asthma and allergies. Sealing ducts can help improve indoor air quality by reducing the risk of pollutants entering ducts and circulating through your home.

4. Concern about the environment

Our homes often use fossil fuel to heat and cool, which contributes to smog, acid rain, and global warming. Sealing your ducts helps reduce the energy needed to heat or cool your home, and can help reduce air pollution.

continued on back of page



Residential HVAC Rebate Program



Know your ducts

A typical duct system can leak 30% of your system's airflow through leaks, holes, and gaps at the seams. The result is higher utility bills and difficulty keeping the house comfortable, regardless of your thermostat setting.

What are signs of poorly performing ducts?

- rooms that are difficult to heat/cool;
- rooms with uneven temperatures that never seem comfortable;
- uninsulated ducts in your attic, crawlspace, or garage;
- tangled or kinked flexible ducts in your system.

Supply ducts waste cooled air when they leak into an unused attic. In summer, leaking return ducts "pull" attic air (often 120F° or higher) into the system and reduce performance. If the ducts also provide heating, those leaks cost you even more!

What else should you know?

What is ENERGY STAR?

The EPA-backed ENERGY STAR program helps consumers to save money and protect our environment with energy-efficient products and practices. More than 40 categories including lighting, appliances, heating and cooling equipment, and even new homes, can earn the ENERGY STAR label. For more information from the U.S. Environmental Protection Agency (EPA) including a full-color brochure on duct sealing, visit www.energystar.gov and search "duct sealing" or call 1-888-STAR-YES (1-888-782-7937).

What is COOL SMART?

COOL SMART is a residential central air conditioning rebate program that promotes best installation practices, education, and HVAC technician/contractor training, and ENERGY STAR qualified high-efficiency air conditioning equipment. National Grid, NSTAR Electric, Cape Light Compact, Unitil and Western Mass Electric sponsor the 2011 COOL SMART program in their Massachusetts and Rhode Island service territories.

Visit COOL SMART at www.masssave.com